

## PS65

Power Supply AC/DC

P/N: 210919



### Features:

- 65.00W standard AC/DC power supply for worldwide use
- Simple operation
- Country specific AC input cables available

### Applications:

Suitable for use with notebooks, hand held data capture POS, test and measurement and other industrial applications.

## Specification

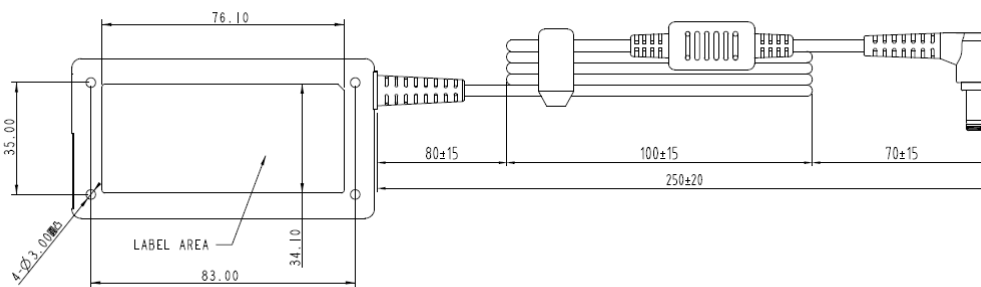
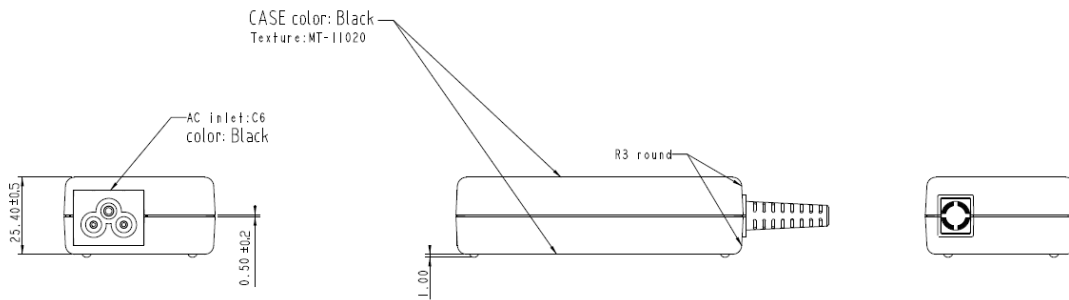
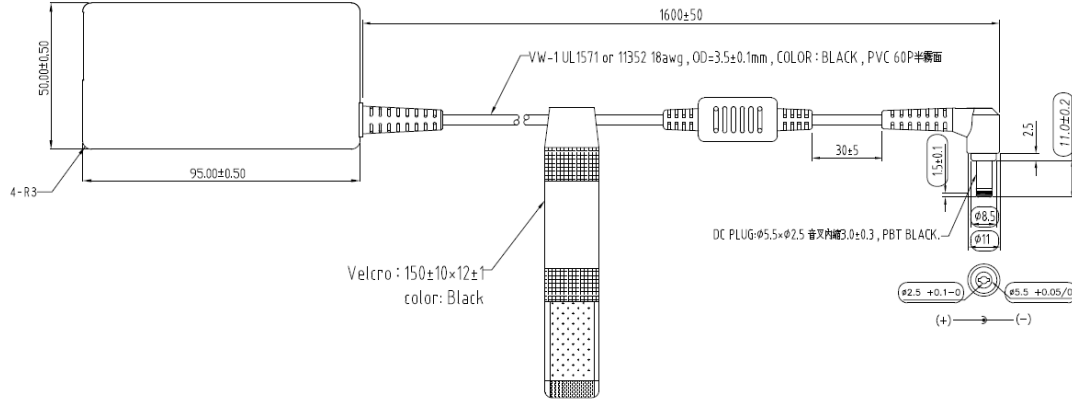
Input		
Voltage	100.00 – 240.00VAC ±10%, 50-60Hz	
Current	1.70A max.	
Standby power	< 0.21W @ no load	
Output		
Voltage	19.00VDC ± 5%; Ripple < 300mV <sub>pk-pk</sub>	
Power	65.00W max.	
Current	3.42A max.	
Protection	Short circuit, over-voltage, over-current, over-temperature	
Environmental		
Ambient temperature	Operation: 0°C to 40°C	Storage: -30°C to 80°C
Pressure & Altitude	1060hPa to 533hPa -382m to 5000m	1060hPa to 533hPa -382m to 5000m
Humidity (non-condensing )	8% to 90% r.H.	5% to 95% r.H.
Mechanical Details		
Housing dimensions (LxWxH)	95 x 50 x 25.4mm, without cables and connectors	
Output cable length	1600mm ±50mm	
Weight	270g, without input cable	
AC input socket	IEC 320 C6 Type	
Standard output connector	DC barrel jack, 5.5 x 2.5 x 11mm	
General		
Efficiency	California's Energy Efficiency Level VI	
Cooling	Convection cooled	
Green procurement	RoHS 2011/65/EU + 2015/863/EU REACH 1907/2006 WEEE 2012/19/EU Chinese RoHS	
MTBF	100,000h at 25°C ambient	
Safety & EMC		
Regulatory approvals	Europe International USA & Canada Australia & New Zealand Russia & Eurasian Customs Union Korea China Japan India Taiwan Mexico Singapore Argentina South Africa Morocco United Kingdom	EN62368-1 (CE) IEC62368-1 (CB) FCC, cULus RCM EAC KC CCC PSE BIS BSMI NOM Safety Mark IRAM SABS CMIM UKCA
Electromagnetic Emissions	Europe USA	EN55032, EN55024 FCC15 class B
Electromagnetic Immunity	ESD immunity Electromagnetic field immunity EFT / Burst Surge Conducted Immunity Magnetic Fields Voltage dips	EN/IEC61000-4-2 EN/IEC61000-4-3 EN/IEC61000-4-4 EN/IEC61000-4-5 EN/IEC61000-4-6 EN/IEC61000-4-8 EN/IEC61000-4-11
Energy Efficiency		DOE

Recommended Accessories

Type	Product	P/N	Application
3-pol AC-Cable	US-Version	210950	Country specific power cables
	EU-Version	210951	
	UK-Version	211133	
	AU-Version	211134	



Drawing



Germany/Headquarters

RRC power solutions GmbH  
Technologepark 1  
66424 Homburg / Saar

Tel.: +49 6841 98090  
Fax: +49 6841 9809280  
Email: sales@rrc-ps.de  
Web: www.rrc-ps.com

USA

RRC power solutions Inc.  
18340 Yorba Linda Blvd.,  
# 107-437  
Yorba Linda, CA 92886

Tel.: +1 714 777 3604  
Fax: +1 714 777 3658  
Email: usa@rrc-ps.com  
Web: www.rrc-ps.com

Hong Kong

RRC power solutions Ltd.  
S-V,6/F, Valiant Industrial  
Centre 2-12 Au Pui Wan Street  
Fo Tan, N.T., Hong Kong

Tel.: +852 2376 0106  
Fax: +852 2375 0107  
Email: hkrrc@rrc-ps.cn  
Web: www.rrc-ps.cn

China

RRC power solutions Ltd.  
Room 1306, C Building,  
Tianan International building,  
Renmin South Road, Luohu  
District, Shenzhen 518021

Tel.: +86 755 8374 1908  
Fax: +86 755 8374 1861  
Email: hkrrc@rrc-ps.cn  
Web: www.rrc-ps.cn