

RRC-Power-Cable-2pol-US

AC cable with US wall plug

P/N: 201497

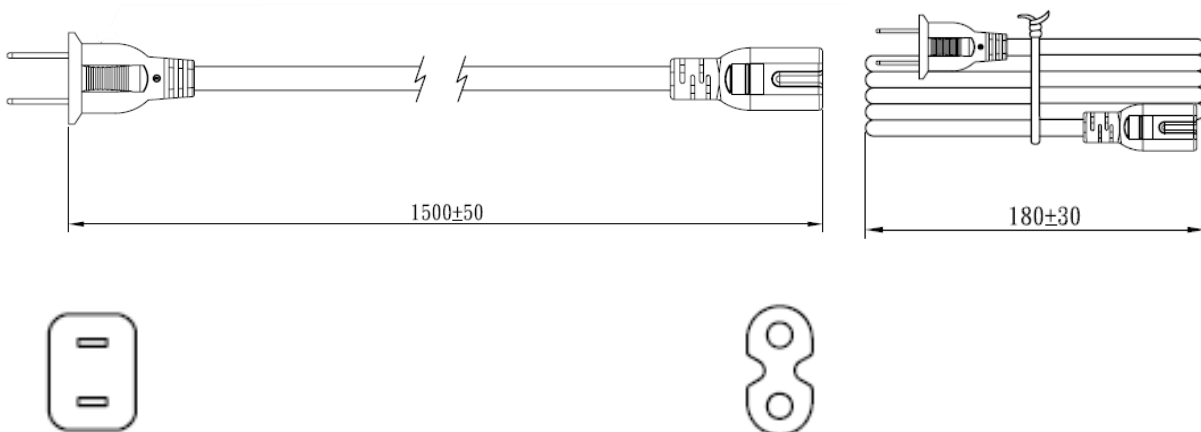


Features:

- Approved for US, Canada and Japan
- For the medical chargers RRC-SMB-UBC-M, RRC-SMB-MBC-M or chargers with a similar AC input or for mobile devices used in medical market

Specification

Scope			
Power cable conforming to	UL 62		
	UL 817		
	CSA C22.2		
	Plug	Connector	Flexible cord
Type	NEMA 1-15 (Type A)	IEC 60320-1 C7	NISPT-2 18/2C
Rating	7.0A 125.00V	7.0A 125.00V	105°C 300.00V
Approved	UL: E55943 CSA: LR 35162	UL: E55943 CSA: LL 41230	E88265 E314513 E315167 LL81924
General			
Length	1500mm		
Colour	black		



Germany/Headquarters

RRC power solutions GmbH
Technologiepark 1
66424 Homburg / Saar

Tel.: +49 6841 98090
Fax: +49 6841 9809280
Email: sales@rrc-ps.de
Web: www.rrc-ps.de

USA

RRC power solutions Inc.
18340 Yorba Linda Blvd.,
107-437 Yorba Linda,
CA 92886-4104

Tel.: +1 714 777 3604
Fax: +1 714 777 3658
Email: usa@rrc-ps.com
Web: www.rrc-ps.com

Hong Kong

RRC power solutions Ltd.
S-V,6/F, Valiant Industrial
Centre 2-12 Au Pui Wan Street
Fo Tan, N.T., Hong Kong

Tel.: +852 2376 0106
Fax: +852 2375 0107
Email: hkrrc@rrc-ps.cn
Web: www.rrc-ps.com

China

RRC power solutions Ltd.
Room 1306, C Building,
Tianan International building,
Renmin South Road, Luohu
District, Shenzhen 518021

Tel.: +86 755 8374 1908
Fax: +86 755 8374 1861
Email: hkrrc@rrc-ps.cn
Web: www.rrc-ps.com